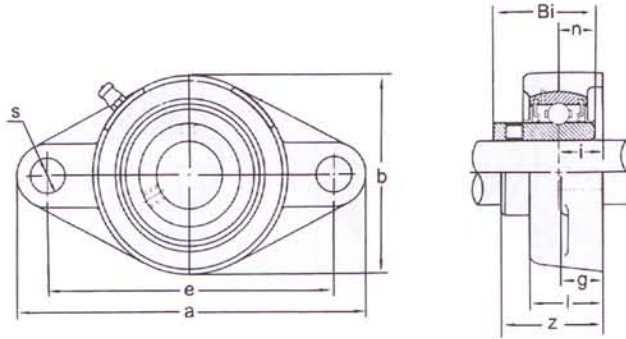


TWO-BOLT FLANGE UNITS



Item Number	bore	a	e	i	g	l	s	b	z	Bi	n	Bolt Size	Bearing Number	Houing Number	Weight Kg
UCFL202	15	113	90	15	12	25.5	12	60	33.3	31	12.7	10	UC202	FL202	0.48
UCFL203	17	113	90	15	12	25.5	12	60	33.3	31	12.7	10	UC203	FL203	0.47
UCFL204	20	113	90	15	12	25.5	12	60	33.3	31	12.7	10	UC204	FL204	0.45
UCFL205	25	130	99	16	14	27	16	68	35.7	34	14.3	14	UC205	FL205	0.63
UCFL206	30	148	117	18	14	31	16	80	40.2	38.1	15.9	14	UC206	FL206	0.96
UCFL207	35	161	130	19	16	34	16	90	44.4	42.9	17.5	14	UC207	FL207	1.23
UCFL208	40	175	144	21	16	36	16	100	51.2	49.2	19	14	UC208	FL208	1.58
UCFL209	45	188	148	22	18	38	19	108	52.2	49.2	19	16	UC209	FL209	1.91
UCFL210	50	197	157	22	18	40	19	115	54.6	51.6	19	16	UC210	FL210	2.19
UCFL211	55	224	184	25	20	43	19	130	58.4	55.6	22.2	16	UC211	FL211	3.15
UCFL212	60	250	202	29	20	48	23	140	68.7	65.1	25.4	20	UC212	FL212	4.08
UCFL213	65	258	210	30	24	50	23	155	69.7	65.1	25.4	20	UC213	FL213	5.06
UCFL214	70	265	216	31	24	54	23	160	75.4	74.6	30.2	20	UC214	FL214	6.01
UCFL215	75	275	225	34	24	56	23	165	78.5	77.8	33.3	20	UC215	FL215	6.48
UCFL216	80	290	233	34	24	58	25	180	83.3	82.6	33.3	22	UC216	FL216	8.02
UCFL217	85	305	248	36	26	63	25	190	87.6	85.7	34.1	22	UC217	FL217	9.48
UCFL218	90	320	265	40	26	68	25	205	96.3	96	39.7	22	UC218	FL218	11.88

Item Number	bore	a	e	i	g	l	s	b	z	Bi	n	Bolt Size	Bearing Number	Houing Number	Weight Kg
UCFL305	25	150	113	16	13	29	19	80	39	38	15	16	UC305	FL305	1.1
UCFL306	30	180	134	18	15	32	23	90	44	43	17	20	UC306	FL306	1.6
UCFL307	35	185	141	20	16	36	23	100	48	48	19	20	UC307	FL307	2
UCFL308	40	200	158	23	17	40	23	112	56	52	19	20	UC308	FL308	2.6
UCFL309	45	230	177	25	18	44	25	125	60	57	22	22	UC309	FL309	3.63
UCFL310	50	240	187	28	19	48	25	140	67	61	22	22	UC310	FL310	4.6
UCFL311	55	250	198	30	20	52	25	150	71	66	25	22	UC311	FL311	5.3
UCFL312	60	270	212	33	22	56	31	160	76	71	26	27	UC312	FL312	6.4
UCFL313	65	295	240	33	25	58	31	175	78	75	30	27	UC313	FL313	8.2
UCFL314	70	315	250	36	28	61	35	185	81	78	33	30	UC314	FL314	10
UCFL315	75	320	260	39	30	66	35	195	89	82	32	30	UC315	FL315	11
UCFL316	80	355	285	38	32	68	38	210	90	86	34	33	UC316	FL316	14.3
UCFL317	85	370	300	44	32	74	38	220	100	96	40	33	UC317	FL317	16.2
UCFL318	90	385	315	44	36	76	38	235	100	96	40	33	UC318	FL318	19.2