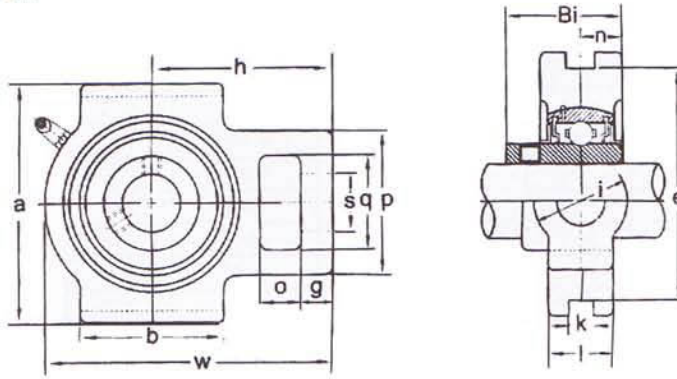


TAKE-UP UNITS



Item Number	bore	o	g	p	q	s	b	k	e	a	w	i	l	h	Bi	n	Bearing Number	Houing Number	Weight Kg
UCT202	15	16	10	51	32	19	51	12	76	89	94	32	21	61	31	12.7	UC202	T204	0.79
UCT201	12	16	10	51	32	19	51	12	76	89	94	32	21	61	31	12.7	UC201	T204	0.77
UCT203	17	16	10	51	32	19	51	12	76	89	94	32	21	61	31	12.7	UC203	T204	0.76
UCT204	20	16	10	51	32	19	51	12	76	89	94	32	21	61	31	12.7	UC204	T204	0.74
UCT205	25	16	10	51	32	19	51	12	76	89	97	32	24	62	34	14.3	UC205	T205	0.82
UCT206	30	16	10	56	37	22	57	12	89	102	113	37	28	70	38.1	15.9	UC206	T206	1.26
UCT207	35	16	13	64	37	22	64	12	89	102	129	37	30	78	42.9	17.5	UC207	T207	1.65
UCT208	40	19	16	83	49	29	83	16	102	114	144	49	33	88	49.2	19	UC208	T208	2.38
UCT209	45	19	16	83	49	29	83	16	102	117	144	49	35	87	49.2	19	UC209	T209	2.42
UCT210	50	19	16	83	49	29	86	16	102	117	149	49	37	90	51.6	19	UC210	T210	2.52
UCT211	55	25	19	102	64	35	95	22	130	146	171	64	38	106	55.6	22.2	UC211	T211	3.97
UCT212	60	32	19	102	64	35	102	22	130	146	194	64	42	119	65.1	25.4	UC212	T212	5.06
UCT213	65	32	21	111	70	41	121	26	151	167	224	70	44	137	65.1	25.4	UC213	T213	6.99
UCT214	70	32	21	111	70	41	121	26	151	167	224	70	46	137	74.6	30.2	UC214	T214	7.09
UCT215	75	32	21	111	70	41	121	26	151	167	232	70	48	140	77.8	33.3	UC215	T215	7.35
UCT216	80	32	21	111	70	41	121	26	165	184	235	70	51	140	82.6	33.3	UC216	T216	8.51
UCT217	85	38	29	124	73	48	157	30	173	198	260	73	54	162	85.7	34.1	Uc217	T217	11.17

Item Number	bore	o	g	p	q	s	b	k	e	a	w	i	l	h	Bi	n	Bearing Number	Houing Number	Weight Kg
UCT305	25	18	12	62	36	26	65	12	80	89	122	36	26	76	38	15	UC305	T305	1.41
UCT306	30	18	14	70	41	28	74	16	90	100	137	41	28	85	43	17	UC306	T306	1.85
UCT307	35	20	15	75	45	30	80	16	100	110	150	45	32	94	48	19	UC307	T307	2.45
UCT308	40	22	17	83	50	32	89	18	112	124	162	50	34	100	52	19	UC308	T308	3.09
UCT309	45	24	18	90	55	34	97	18	125	138	178	55	38	110	57	22	UC309	T309	4.08
UCT310	50	27	20	98	61	37	106	20	140	151	191	61	40	117	61	22	UC310	T310	5.25
UCT311	55	29	21	105	66	39	115	22	150	162	207	66	44	127	66	25	UC311	T311	6.41
UCT312	60	31	23	113	71	41	123	22	160	178	220	71	46	135	71	26	UC312	T312	7.61
UCT313	65	32	25	116	70	43	134	26	170	190	238	80	50	146	75	30	UC313	T313	9.22
UCT314	70	36	25	130	85	46	140	26	180	202	252	90	52	155	78	33	UC314	T314	11.4
UCT315	75	36	25	132	85	46	150	26	192	216	262	90	55	160	82	32	UC315	T315	12.9
UCT316	80	42	28	150	98	53	160	30	204	230	282	102	60	174	86	34	UC316	T316	15.65
UCT317	85	42	30	152	98	53	170	32	214	240	298	102	64	183	96	40	UC317	T317	19.34
UCT318	90	46	30	160	106	57	175	32	228	255	312	110	66	192	96	40	UC318	T318	21.25