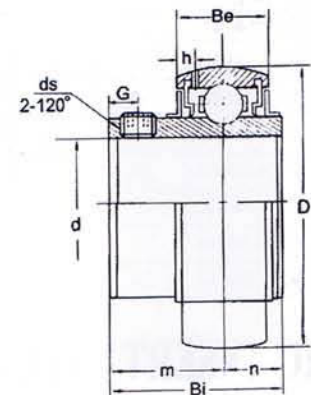


UC INSERT BALL BEARINGS WITH SET SCREWS

Item Number	bore	D	Bi	Be	n	m	h	G	Set Screw	Weight Kg
UC202	15	47	31	16	12.7	18.3	4	5	6	0.19
UC203	17	47	31	16	12.7	18.3	4	5	6	0.18
UC204	20	47	31	16	12.7	18.3	4	5	6	0.16
UC205	25	52	34	17	14.3	19.7	3.5	5.5	6	0.2
UC206	30	62	38.1	19	15.9	22.2	4.5	6	6	0.32
UC207	35	72	42.9	20	17.5	25.4	4.5	6.5	8	0.48
UC208	40	80	49.2	21	19	30.2	4.5	8	8	0.64
UC209	45	85	49.2	22	19	30.2	5	8	8	0.68
UC210	50	90	51.6	24	19	32.6	6	9	10	0.3
UC211	55	100	55.6	25	22.2	33.4	5.5	9	10	1.11
UC212	60	110	65.1	27	25.4	39.7	6	10.5	10	1.54
UC213	65	120	65.1	28	25.4	39.7	6.5	12	12	1.86
UC214	70	125	74.6	30	30.2	44.4	6	12	12	2.05
UC215	75	130	77.8	32	33.3	44.5	7	12	12	2.21
UC216	80	140	82.6	33	33.3	49.3	7.5	14	12	2.79
UC217	85	150	85.7	35	34.1	51.6	7.5	14	12	3.45
UC218	90	160	96	38	39.7	56.3	8	15	12	4.35



Item Number	bore	D	Bi	Be	n	m	h	G	Set Screw	Weight Kg
UC305	25	62	38	22	15	23	5	6	M6P1.0	0.33
UC306	30	72	43	24	17	26	6	6	M6P1.0	0.55
UC307	35	80	48	26	19	29	6	8	M8P1.0	0.73
UC308	40	90	52	28	19	33	6.5	10	M10P1.0	0.99
UC309	45	100	57	30	22	35	6.5	10	M10P1.0	1.22
UC310	50	110	61	32	22	39	7	12	M12P1.5	1.61
UC311	55	120	66	34	25	41	7.5	12	M12P1.5	2.05
UC312	60	130	71	36	26	45	7.5	12	M12P1.5	2.54
UC313	65	140	75	38	30	45	8	12	M12P1.5	3.22
UC314	70	150	78	40	33	45	8	12	M12P1.5	3.73
UC315	75	160	82	42	32	50	8.5	14	M14P1.5	4.24
UC316	80	170	86	44	34	52	8.5	14	M14P1.5	5.04
UC317	85	180	96	46	40	56	9	16	M16P1.5	6.6
UC318	90	190	96	48	40	56	9	16	M16P1.5	7.45

Item Number	bore	D	Bi	Be	n	m	h	G	Set Screw	Weight Kg
UCX05	25	62	38.1	19	15.9	22.2	4.5	6	6	0.39
UCX06	30	72	42.9	20	17.5	25.4	4.5	6.5	8	0.58
UCX07	35	80	49.2	21	19	30.2	4.5	8	8	0.75
UCX08	40	85	49.2	22	19	30.2	5	8	8	0.83
UCX09	45	90	51.6	24	19	32.6	6	9	10	0.95
UCX10	50	100	55.6	25	22.2	33.4	5.5	9	10	1.29
UCX11	55	110	65.1	27	25.4	39.7	6	10.5	10	1.8
UCX12	60	120	65.1	28	25.4	39.7	6.5	12	12	2.05
UCX13	65	125	74.6	30	30.2	44.4	6	12	12	2.27
UCX14	70	130	77.8	32	33.3	44.5	7	12	12	2.48
UCX15	75	140	82.6	33	33.3	49.3	7.5	14	12	3.05
UCX16	80	150	85.7	35	34.1	51.6	7.5	14	12	3.7
UCX17	85	160	96	38	39.7	56.3	8	15	12	4.56
UCX18	90	170	104	40	42.9	61.1	8.5	16	14	6