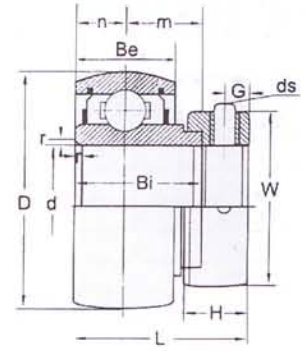


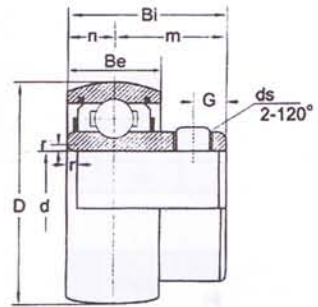
SA-RA BALL BEARINGS

Item Number	bore	D	L	Bi	Be	r	n	W	H	ds	Weight Kg
SA201-RB201	12	40	28.6	19.1	12	1	6.5	28.6	13.5	M6	0.12
SA202-RB202	15	40	28.6	19.1	12	1	6.5	28.6	13.5	M6	0.11
SA203-RA203	17	40	28.6	19.1	12	1	6.5	28.6	13.5	M6	0.1
SA204-RA204	20	47	31	21.5	14	1.5	7.5	33.3	13.5	M6	0.16
SA205-RA205	25	52	31	21.5	15	1.5	7.5	38.1	13.5	M6	0.2
SA206-RA206	30	62	35.7	23.5	16	1.5	9	44.5	15.9	M8	0.31
SA207-RA207	35	72	38.9	25.4	17	2	9.5	55.6	17.5	M10	0.49



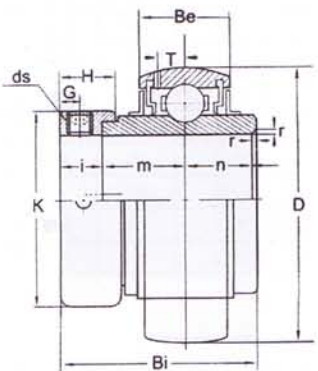
SB - RB BALL BEARING

Item Number	bore	D	Bi	Be	r	n	m	G	ds	Weight Kg
SB201-RB201	12	40	22	12	1	6	16	4	M5	0.1
SB202-RB202	15	40	22	12	1	6	16	4	M5	0.09
SB203-RB203	17	40	22	12	1	6	16	4	M5	0.07
SB204-RB204	20	47	25	14	1.5	7	17.7	4.5	M5	0.12
SB205-RB205	25	52	27	15	1.5	7.5	20.2	5	M6	0.16
SB206-RB206	30	62	30	16	1.5	8	22.3	5	M6	0.25
SB207-RB207	35	72	32	17	2	8.5	24.4	6	M8	0.38



HC INSERT BALL BEARINGS WITH ECCENTRIC COLLAR

Item Number	bore	D	Bi	m	Be	r	n	T	K	H	ds	Weight Kg
HC204	20	47	43.7	17.1	17	1.5	17.1	4.5	33.3	13.5	M6	0.21
HC205	25	52	44.4	17.4	17	1.5	17.5	4.5	38.1	13.5	M6	0.23
HC206	30	62	48.4	18.2	19	1.5	18.3	5.1	44.5	15.9	M8	0.37
HC207	35	72	51.1	18.8	20	2	18.8	5.8	55.6	17.5	M10	0.6
HC208	40	80	56.3	21.4	21	2	21.4	6.2	60.3	18.3	M10	0.76
HC209	45	85	56.3	21.4	22	2	21.4	6.5	63.5	18.3	M10	0.79
HC210	50	90	62.7	24.6	23	2	24.6	6.5	69.9	18.3	M10	0.91
HC211	55	100	71.4	27.7	24	2.5	27.8	7.3	76.2	20.7	M12	1.26
HC212	60	110	77.8	30.9	26	2.5	31	7.7	84.2	22.3	M12	1.7
HC213	65	120	85.7	34.5	28	2.5	34.1	8.4	86.1	23.5	M12	2.5
HC214	70	125	85.7	34.5	30	2.5	34.1	8.4	90	23.5	M12	2.8
HC215	75	130	92.1	37.7	32	3	37.3	9	102	23.5	M12	3.2



UK INSERT BALL BEARINGS WITH INNER TAPER HOLE

Item Number	bore	D	Bi	Be	T	Weight Kg
UK205	25	52	24	17	4.2	0.24
UK206	30	62	27	19	5.2	0.34
UK207	35	72	28	20	5.6	0.51
UK208	40	80	30	22	6.2	0.66
UK209	45	85	31	22	6.3	0.84
UK210	50	90	31	24	6.5	1.03
UK211	55	100	34	25	7	1.26
UK212	60	110	36	27	7	1.51
UK213	65	120	39	30	8.5	1.8

