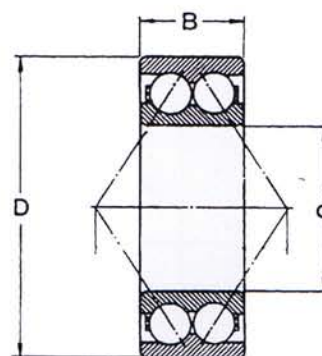


# DOUBLE-ROW ANGULAR CONTACT BALL BEARINGS

| Dimension |     |      | TYPE |         |          | Weight<br>kg |
|-----------|-----|------|------|---------|----------|--------------|
| d         | D   | B    | OPEN | ZZ      | 2RS      |              |
| 10        | 30  | 14.3 | 5200 | 5200 ZZ | 5200 2RS | 0.049        |
| 12        | 32  | 15.9 | 5201 | 5201 ZZ | 5201 2RS | 0.057        |
| 15        | 35  | 15.9 | 5202 | 5202 ZZ | 5202 2RS | 0.064        |
| 17        | 40  | 17.5 | 5203 | 5203 ZZ | 5203 2RS | 0.096        |
| 20        | 47  | 20.6 | 5204 | 5204 ZZ | 5204 2RS | 0.153        |
| 25        | 52  | 20.6 | 5205 | 5205 ZZ | 5205 2RS | 0.175        |
| 30        | 62  | 23.8 | 5206 | 5206 ZZ | 5206 2RS | 0.286        |
| 35        | 72  | 27   | 5207 | 5207 ZZ | 5207 2RS | 0.436        |
| 40        | 80  | 30.2 | 5208 | 5208 ZZ | 5208 2RS | 0.590        |
| 45        | 85  | 30.2 | 5209 | 5209 ZZ | 5209 2RS | 0.640        |
| 50        | 90  | 30.2 | 5210 | 5210 ZZ | 5210 2RS | 0.689        |
| 55        | 100 | 33.3 | 5211 | 5211 ZZ | 5211 2RS | 0.986        |
| 60        | 110 | 36.5 | 5212 | 5212 ZZ | 5212 2RS | 1.270        |
| 65        | 120 | 38.1 | 5213 | 5213 ZZ | 5213 2RS | 1.570        |
| 70        | 125 | 39.7 | 5214 | 5214 ZZ | 5214 2RS | 1.800        |
| 75        | 130 | 41.3 | 5215 | 5215 ZZ | 5215 2RS | 1.900        |
| 80        | 140 | 44.4 | 5216 | 5216 ZZ | 5216 2RS | 2.390        |
| 85        | 150 | 49.2 | 5217 | 5217 ZZ | 5217 2RS | 3.060        |
| 90        | 160 | 52.4 | 5218 | 5218 ZZ | 5218 2RS | 3.730        |
| 95        | 170 | 55.6 | 5219 | 5219 ZZ | 5219 2RS | 4.860        |
| 100       | 180 | 60.3 | 5220 | 5220 ZZ | 5220 2RS | 5.940        |



| Dimension |     |      | TYPE |          |          | Weight<br>kg |
|-----------|-----|------|------|----------|----------|--------------|
| d         | D   | B    | OPEN | SHIELDED | SEALED   |              |
| 15        | 42  | 19   | 5302 | 5302 ZZ  | 5302 2RS | 0.132        |
| 17        | 47  | 22.2 | 5303 | 5303 ZZ  | 5303 2RS | 0.181        |
| 20        | 52  | 22.2 | 5304 | 5304 ZZ  | 5304 2RS | 0.217        |
| 25        | 62  | 25.4 | 5305 | 5305 ZZ  | 5305 2RS | 0.362        |
| 30        | 72  | 30.2 | 5306 | 5306 ZZ  | 5306 2RS | 0.553        |
| 35        | 80  | 34.9 | 5307 | 5307 ZZ  | 5307 2RS | 0.766        |
| 40        | 90  | 36.5 | 5308 | 5308 ZZ  | 5308 2RS | 1.01         |
| 45        | 100 | 39.7 | 5309 | 5309 ZZ  | 5309 2RS | 1.34         |
| 50        | 110 | 44.4 | 5310 | 5310 ZZ  | 5310 2RS | 1.81         |
| 55        | 120 | 49.2 | 5311 | 5311 ZZ  | 5311 2RS | 2.32         |
| 60        | 130 | 54   | 5312 | 5312 ZZ  | 5312 2RS | 3.05         |
| 65        | 140 | 58.7 | 5313 | 5313 ZZ  | 5313 2RS | 3.96         |
| 70        | 150 | 63.5 | 5314 | 5314 ZZ  | 5314 2RS | 4.74         |
| 75        | 160 | 68.3 | 5315 | 5315 ZZ  | 5315 2RS | 5.65         |

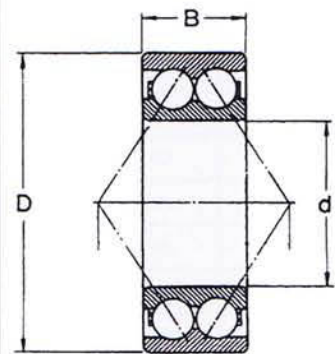


# DOUBLE-ROW ANGULAR CONTACT BALL BEARINGS

| Dimension |     |      | TYPE |          |          | Weight<br>kg |
|-----------|-----|------|------|----------|----------|--------------|
| d         | D   | B    | OPEN | SHIELDED | SEALED   |              |
| 10        | 30  | 14.3 | 3200 | 3200 ZZ  | 3200 2RS | 0.051        |
| 12        | 32  | 15.9 | 3201 | 3201 ZZ  | 3201 2RS | 0.060        |
| 15        | 35  | 15.9 | 3202 | 3202 ZZ  | 3202 2RS | 0.069        |
| 17        | 40  | 17.5 | 3203 | 3203 ZZ  | 3203 2RS | 0.099        |
| 20        | 47  | 20.6 | 3204 | 3204 ZZ  | 3204 2RS | 0.166        |
| 25        | 52  | 20.6 | 3205 | 3205 ZZ  | 3205 2RS | 0.183        |
| 30        | 62  | 23.8 | 3206 | 3206 ZZ  | 3206 2RS | 0.303        |
| 35        | 72  | 27   | 3207 | 3207 ZZ  | 3207 2RS | 0.458        |
| 40        | 80  | 30.2 | 3208 | 3208 ZZ  | 3208 2RS | 0.627        |
| 45        | 85  | 30.2 | 3209 | 3209 ZZ  | 3209 2RS | 0.678        |
| 50        | 90  | 30.2 | 3210 | 3210 ZZ  | 3210 2RS | 0.698        |
| 55        | 100 | 33.3 | 3211 | 3211 ZZ  | 3211 2RS | 1.070        |
| 60        | 110 | 36.5 | 3212 | 3212 ZZ  | 3212 2RS | 1.340        |
| 65        | 120 | 38.1 | 3213 | 3213 ZZ  | 3213 2RS | 1.680        |
| 70        | 125 | 39.7 | 3214 | 3214 ZZ  | 3214 2RS | 1.840        |
| 75        | 130 | 41.3 | 3215 | 3215 ZZ  | 3215 2RS | 2.010        |
| 80        | 140 | 44.4 | 3216 | 3216 ZZ  | 3216 2RS | 2.710        |
| 85        | 150 | 49.2 | 3217 | 3217 ZZ  | 3217 2RS | 3.480        |
| 90        | 160 | 52.4 | 3218 | 3218 ZZ  | 3218 2RS | 4.240        |
| 95        | 170 | 55.6 | 3219 | 3219 ZZ  | 3219 2RS | 5.100        |
| 100       | 180 | 60.3 | 3220 | 3220 ZZ  | 3220 2RS | 5.880        |



| Dimension |     |      | TYPE |          |          | Weight<br>kg |
|-----------|-----|------|------|----------|----------|--------------|
| d         | D   | B    | OPEN | SHIELDED | SEALED   |              |
| 15        | 42  | 19   | 3302 | 3302 ZZ  | 3302 2RS | 0.127        |
| 17        | 47  | 22.2 | 3303 | 3303 ZZ  | 3303 2RS | 0.185        |
| 20        | 52  | 22.2 | 3304 | 3304 ZZ  | 3304 2RS | 0.221        |
| 25        | 62  | 25.4 | 3305 | 3305 ZZ  | 3305 2RS | 0.354        |
| 30        | 72  | 30.2 | 3306 | 3306 ZZ  | 3306 2RS | 0.558        |
| 35        | 80  | 34.9 | 3307 | 3307 ZZ  | 3307 2RS | 0.756        |
| 40        | 90  | 36.5 | 3308 | 3308 ZZ  | 3308 2RS | 1.030        |
| 45        | 100 | 39.7 | 3309 | 3309 ZZ  | 3309 2RS | 1.370        |
| 50        | 110 | 44.4 | 3310 | 3310 ZZ  | 3310 2RS | 1.980        |
| 55        | 120 | 49.2 | 3311 | 3311 ZZ  | 3311 2RS | 2.420        |
| 60        | 130 | 54   | 3312 | 3312 ZZ  | 3312 2RS | 3.070        |
| 65        | 140 | 58.7 | 3313 | 3313 ZZ  | 3313 2RS | 3.900        |
| 70        | 150 | 63.5 | 3314 | 3314 ZZ  | 3314 2RS | 5.200        |
| 75        | 160 | 68.3 | 3315 | 3315 ZZ  | 3315 2RS | 6.300        |
| 80        | 170 | 68.3 | 3316 | 3316 ZZ  | 3316 2RS | 6.950        |
| 85        | 180 | 73   | 3317 | 3317 ZZ  | 3317 2RS | 8.300        |
| 90        | 190 | 73   | 3318 | 3318 ZZ  | 3318 2RS | 9.250        |
| 95        | 200 | 77.8 | 3319 | 3319 ZZ  | 3319 2RS | 11.00        |
| 100       | 215 | 82.6 | 3320 | 3320 ZZ  | 3320 2RS | 13.50        |



# DOUBLE-ROW ANGULAR CONTACT BALL BEARINGS

| Dimension |     |    | TYPE |          |          | Weight<br>kg |
|-----------|-----|----|------|----------|----------|--------------|
| d         | D   | B  | OPEN | SHIELDED | SEALED   |              |
| 10        | 30  | 14 | 4200 | 4200 ZZ  | 4200 2RS | 0.049        |
| 12        | 32  | 14 | 4201 | 4201 ZZ  | 4201 2RS | 0.053        |
| 15        | 35  | 14 | 4202 | 4202 ZZ  | 4202 2RS | 0.059        |
| 17        | 40  | 16 | 4203 | 4203 ZZ  | 4203 2RS | 0.090        |
| 20        | 47  | 18 | 4204 | 4204 ZZ  | 4204 2RS | 0.140        |
| 25        | 52  | 18 | 4205 | 4205 ZZ  | 4205 2RS | 0.160        |
| 30        | 62  | 20 | 4206 | 4206 ZZ  | 4206 2RS | 0.260        |
| 35        | 72  | 23 | 4207 | 4207 ZZ  | 4207 2RS | 0.400        |
| 40        | 80  | 23 | 4208 | 4208 ZZ  | 4208 2RS | 0.500        |
| 45        | 85  | 23 | 4209 | 4209 ZZ  | 4209 2RS | 0.540        |
| 50        | 90  | 23 | 4210 | 4210 ZZ  | 4210 2RS | 0.580        |
| 55        | 100 | 25 | 4211 | 4211 ZZ  | 4211 2RS | 0.800        |
| 60        | 110 | 28 | 4212 | 4212 ZZ  | 4212 2RS | 1.100        |
| 65        | 120 | 31 | 4213 | 4213 ZZ  | 4213 2RS | 1.450        |
| 70        | 125 | 31 | 4214 | 4214 ZZ  | 4214 2RS | 1.500        |
| 75        | 130 | 31 | 4215 | 4215 ZZ  | 4215 2RS | 1.600        |
| 80        | 140 | 33 | 4216 | 4216 ZZ  | 4216 2RS | 2.000        |
| 85        | 150 | 36 | 4217 | 4217 ZZ  | 4217 2RS | 2.550        |
| 90        | 160 | 40 | 4218 | 4218 ZZ  | 4218 2RS | 3.200        |



| Dimension |     |    | TYPE |          |          | Weight<br>kg |
|-----------|-----|----|------|----------|----------|--------------|
| d         | D   | B  | OPEN | SHIELDED | SEALED   |              |
| 12        | 37  | 17 | 4301 | 4301 ZZ  | 4301 2RS | 0.092        |
| 15        | 42  | 17 | 4302 | 4302 ZZ  | 4302 2RS | 0.120        |
| 17        | 47  | 19 | 4303 | 4303 ZZ  | 4303 2RS | 0.160        |
| 20        | 52  | 21 | 4304 | 4304 ZZ  | 4304 2RS | 0.210        |
| 25        | 62  | 24 | 4305 | 4305 ZZ  | 4305 2RS | 0.340        |
| 30        | 72  | 27 | 4306 | 4306 ZZ  | 4306 2RS | 0.500        |
| 35        | 80  | 31 | 4307 | 4307 ZZ  | 4307 2RS | 0.690        |
| 40        | 90  | 33 | 4308 | 4308 ZZ  | 4308 2RS | 0.950        |
| 45        | 100 | 36 | 4309 | 4309 ZZ  | 4309 2RS | 1.250        |
| 50        | 110 | 40 | 4310 | 4310 ZZ  | 4310 2RS | 1.700        |
| 55        | 120 | 43 | 4311 | 4311 ZZ  | 4311 2RS | 2.150        |
| 60        | 130 | 44 | 4312 | 4312 ZZ  | 4312 2RS | 2.650        |
| 65        | 140 | 48 | 4313 | 4313 ZZ  | 4313 2RS | 3.250        |
| 70        | 150 | 51 | 4314 | 4314 ZZ  | 4314 2RS | 3.950        |

